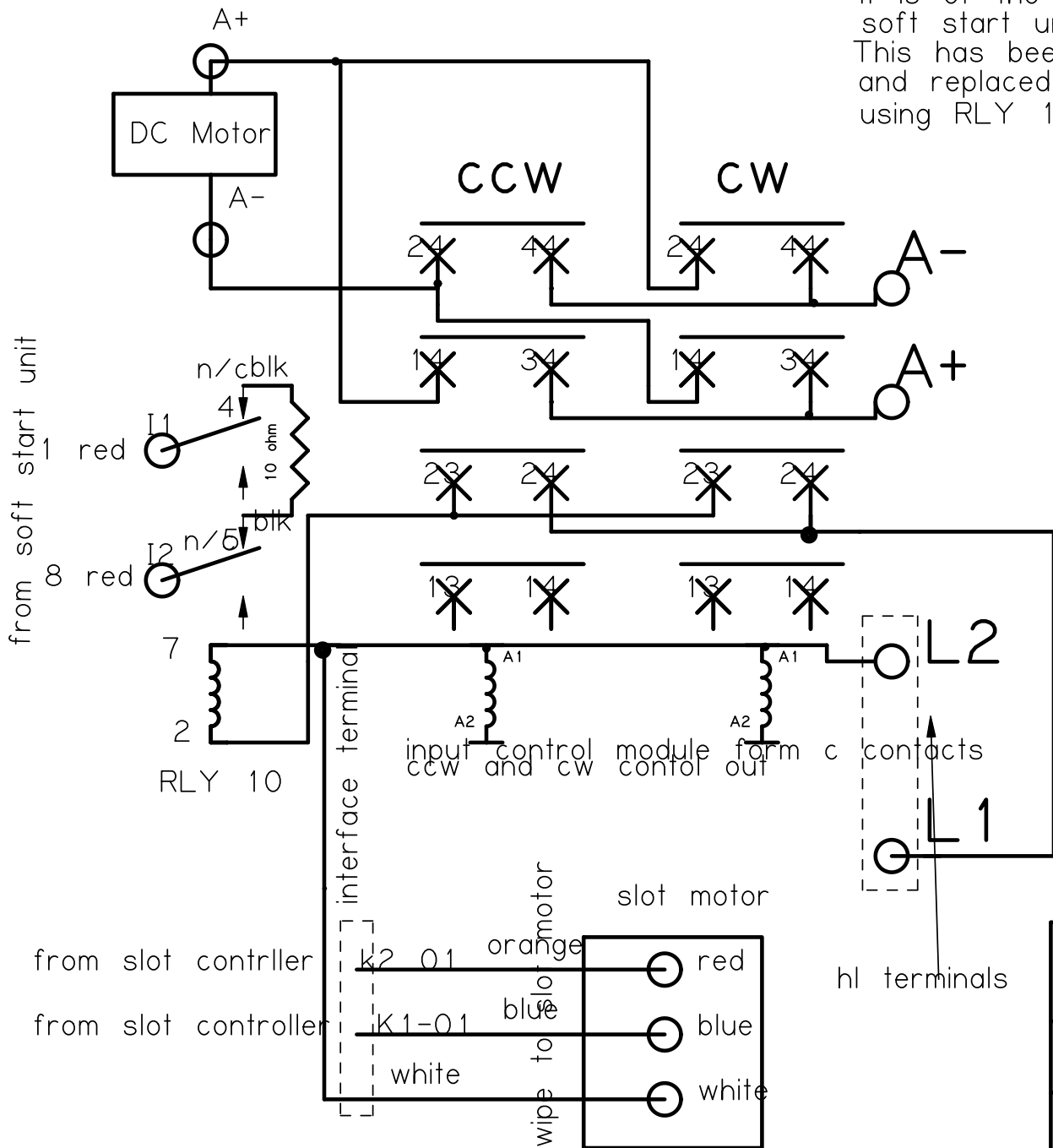


note

This drawing may be taken as a AS Is drawing.  
 it is of the contactor control and the marriage of the  
 soft start unit which has a rotation braking crt in it  
 This has been effectively removed from soft start unit  
 and replaced by same type crt in contactor box  
 using RLY 10



soft start contactors		as is
drawing by w sanders		
Date		april 3 2013
Scale		Rev