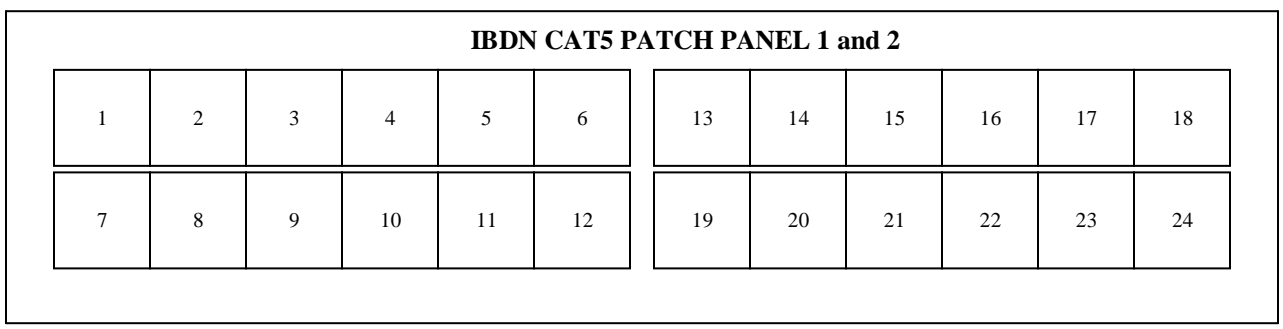
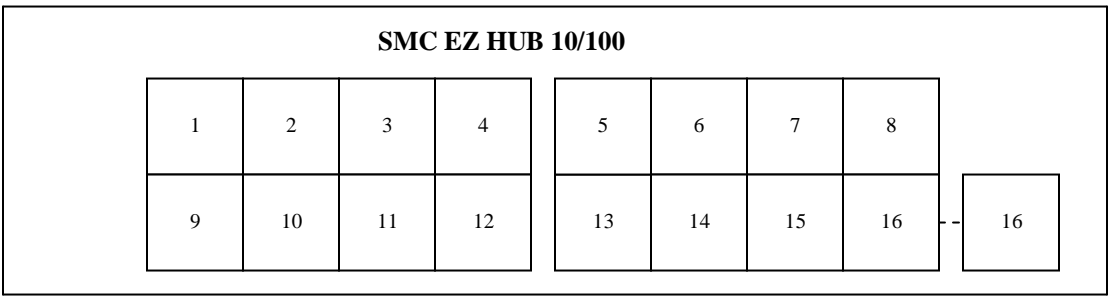
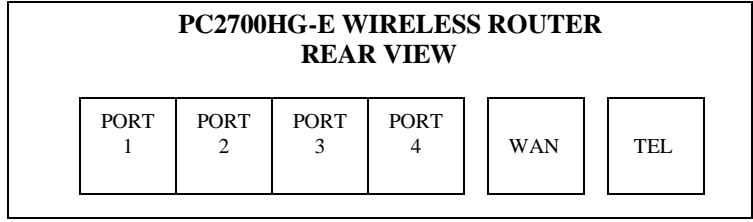
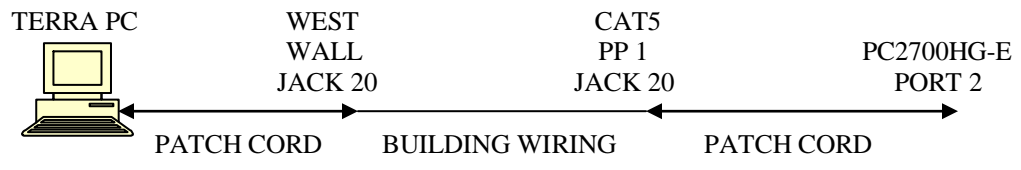
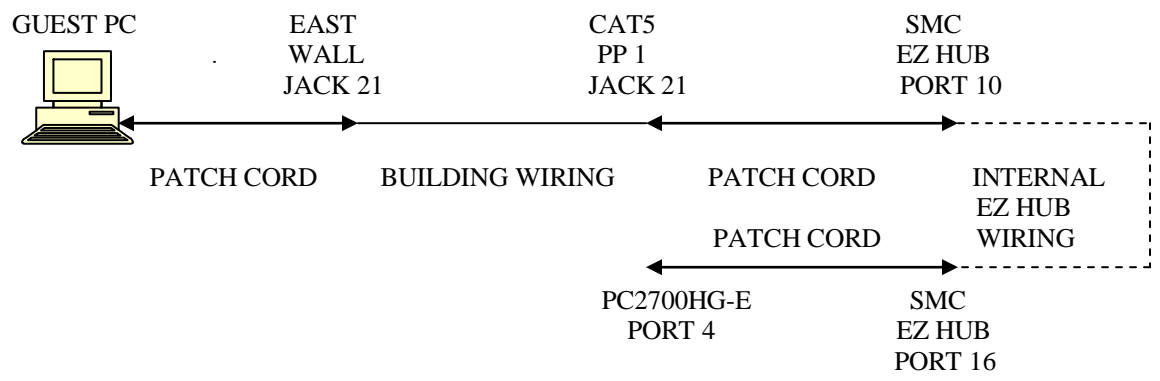


NETWORK CONFIGURATION

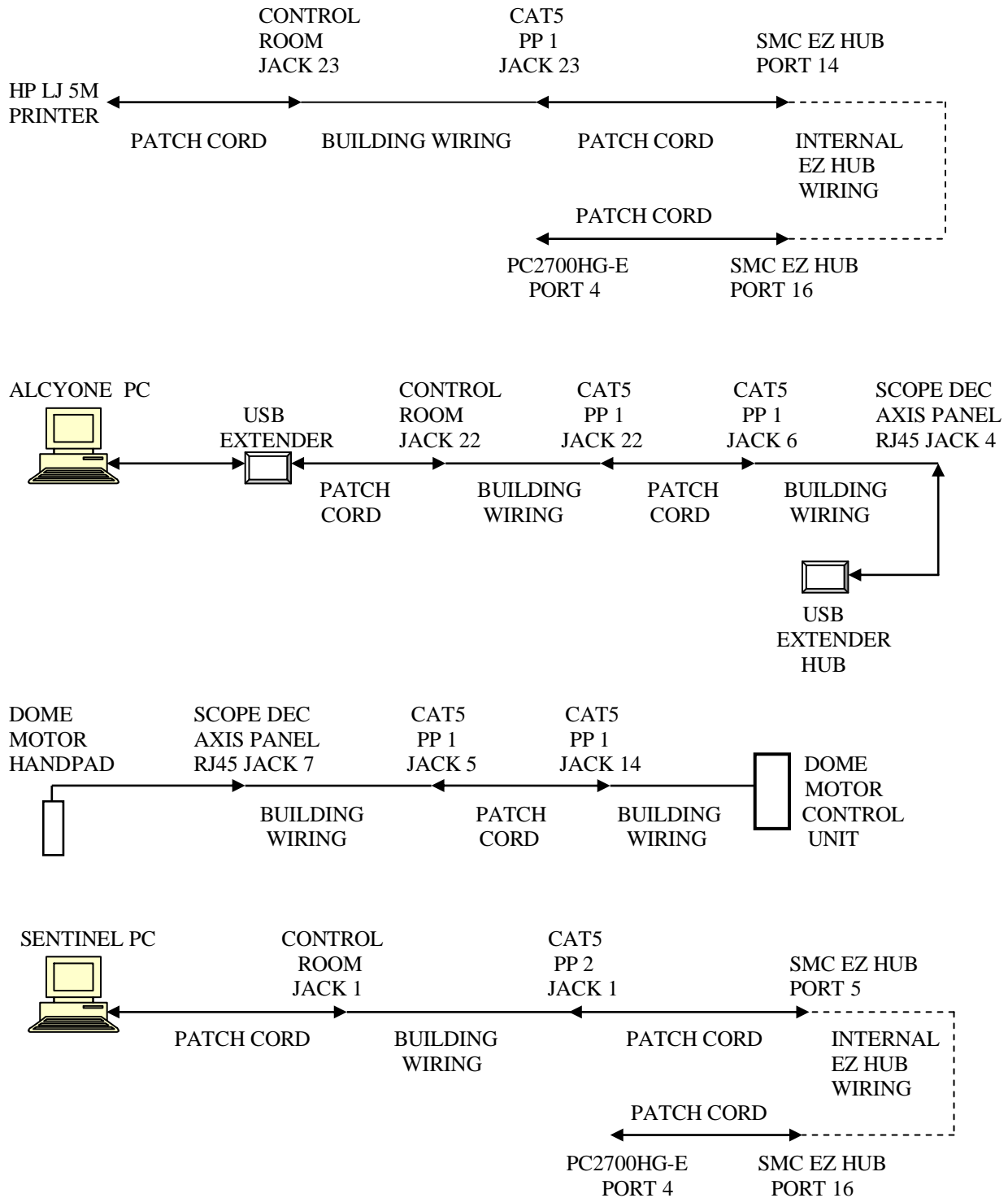


EXAMPLES



NETWORK CONFIGURATION

EXAMPLES



NETWORK CONFIGURATION

PATCH CORD ARRANGEMENT

CAT5 PATCH PANEL 1 JACK #	FROM	XCONN TO SMC EZ HUB PORT # OR PC2700HG-E PORT #	XCONN TO CAT5 PATCH PANEL JACK #	REMARKS
1	NW PIER	EZ HUB 1		
2	NE PIER			ABANDONED
3	SW PIER	EZ HUB 3		
4	SE PIER	EZ HUB 4		
5	SCOPE AXIS PANEL RJ45 JACK 7		PANEL 1 JACK 14	DOME MOTOR HANDPAD
6	SCOPE AXIS PANEL RJ45 - JACK 4		PANEL 1 JACK 22	USB EXTENDER HUB ON SCOPE AXIS PANEL
7	RJ45 - JACK 1			SCOPE AXIS PANEL
8	RJ45 - JACK 3			SCOPE AXIS PANEL
9	RJ45 - JACK 2	DEFECTIVE		SCOPE AXIS PANEL
10	RJ45 - JACK 8	DEFECTIVE?		SCOPE AXIS PANEL
11				UNUSED
12				UNUSED
13	WEST WALL 13	EZ HUB 15		
14	DOME MOTOR CONTROL UNIT		PANEL 1 JACK 5	
15	CONTROL ROOM 15	PC2700HG-E 1		ALCYONE PC
16	SOUTH WALL 16	EZ HUB 6		
17	SOUTH WALL 17	EZ HUB 7		
18	SOUTH WALL 18	EZ HUB 8		
19	SOUTH WALL 19	EZ HUB 9		
20	WEST WALL 20	PC2700HG-E 2		TERRA PC
21	EAST WALL 21	EZ HUB 10		
22	CONTROL ROOM 22		PANEL 1 JACK 6	USB EXTENDER UNIT CONNECTED TO ALCYONE PC
23	CONTROL ROOM 23	EZ HUB 14		HP LJ 5M PRINTER
24	CONTROL ROOM 24	PC2700HG-E 3 EZ HUB 13 EZ HUB 16		SonofSOL PC UNUSED PC2700HG-E 4

NETWORK CONFIGURATION

PATCH CORD ARRANGEMENT

CAT5 PATCH PANEL 2 JACK #	FROM	XCONN TO SMC EZ HUB PORT # OR PC2700HG-E PORT #	XCONN TO CAT5 PATCH PANEL JACK #	REMARKS
1	CONTROL ROOM 1	EZ HUB 5		SENTINEL2 PC
2	CONTROL ROOM 2	EZ HUB 11		RMOB PC
3	CONTROL ROOM 3	EZ HUB 12		MEROPE PC
4	CONTROL ROOM 4	EZ HUB 2		METEOR PC
5				
6				
7				
8				
9				
10				
11				
12				
13				
14				
15				
16				
17				
18				
19				
20				
21				
22				
23				
24				